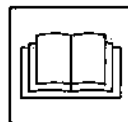


**SOL 3**  
**SOL 5 W**  
**BDC 3122**  
**BDC 3140**

<b>MANUALE DI ISTRUZIONI</b>	<b>I</b>
<b>INSTRUCTIONS MANUAL</b>	<b>GB</b>
<b>MANUEL D'INSTRUCTIONS</b>	<b>F</b>
<b>BETRIEBSANLEITUNG</b>	<b>D</b>
<b>MANUAL DE INSTRUCCIONES</b>	<b>E</b>



**C71-I-GB-F-D-E**

11/2007

# Table of contents

<b>Instructions for use</b> .....	<b>2</b>
Operator safety .....	2
General information for using the vacuum cleaner .....	2
Proper uses .....	2
Dust emissions into the environment .....	2
General recommendations .....	2
<b>Vacuum cleaner description</b> .....	<b>3</b>
Labels .....	3
Optional kits .....	3
Accessories .....	3
Packing and unpacking .....	3
Setting to work - connection to the power supply .....	4
Extensions .....	4
Wet and dry applications .....	5
Maintenance and repairs .....	5
Technical data .....	6
Dimensions .....	6
Controls, indicators and connections .....	6
Inspection prior to starting .....	6
Starting up .....	6
Shaking the main filter .....	7
Emergency stopping .....	7
Emptying the container .....	7
Wet vacuuming kit assembly .....	7
At the end of a cleaning session .....	8
Maintenance, cleaning and decontamination .....	8
Filter disassembly and replacement .....	8
Filter replacement .....	8
Motor cooling fan inspection and cleaning .....	9
Seal inspection .....	9
Separator cleaning and replacement (if equipped) .....	9
Vacuum cleaner disposal .....	9
Wiring diagrams .....	9
<b>Troubleshooting</b> .....	<b>10</b>

GB

# Instructions for use

Read the operating instructions and comply with the important safety recommendations identified by the word **WARNING!**

## Operator safety



**WARNING!**

*Before starting the vacuum cleaner, it is absolutely essential to read these operating instructions and to keep them ready at hand for consultation. The vacuum cleaner can only be used by people who are familiar with the way it works and who have been explicitly authorized and trained for the purpose. Before using the vacuum cleaner, operators must be informed, instructed and trained on how to work it and for which substances its usage is permitted including the safe method for removing and disposing of the vacuumed material.*

## General information for using the vacuum cleaner

Use of the vacuum cleaner is governed by the laws in force in the country where it is used.

Besides the operating instructions and the laws in force in the country where the vacuum cleaner is used, the technical regulations for ensuring safe and correct operation must also be observed (Legislation concerning environmental and labour safety, i.e. European Union Directive 89/391/EC and successive Directives).

Do not carry out any operation that could jeopardize the safety of people, property and the environment.

Comply with the safety indications and prescriptions in this instruction manual.

GB

## Proper uses

The vacuum cleaners described in this instruction manual are designed for industrial use. The produced version (normal version) is not suitable for vacuuming hazardous, combustible/explosive dust.

This vacuum cleaner can also be produced in the variant for vacuuming liquids, with level monitoring function.

## Dust emissions into the environment

Indicative values of performance:

- normal version (not suitable for vacuuming hazardous dust): retains at least 99.1% of particles measuring  $\geq 3 \mu\text{m}$ .

## General recommendations



**WARNING!**

**Risk of fire outbreaks and explosions.**

- The vacuum cleaner can only be used when it is certain that active sources of ignition are not going to be vacuumed.
- It is forbidden to vacuum the following materials:
  - burning materials (embers, hot ashes, lighted cigarettes, etc.);
  - flammable liquids, aggressive fuels (e.g. gasoline, solvents, acids, alkaline solutions, etc.).
- It is forbidden to vacuum the following materials: explosive dust or ones liable to ignite in a spontaneous way (such as magnesium or aluminium dusts, etc.).
- The vacuum cleaner is not suitable for vacuuming explosive or similar substances, as established by the laws governing explosive substances, particularly: liquid fuels and mixtures of flammable dust and liquids.



**WARNING!**

**Emergency**

**If an emergency situation occurs:**

- filter breakage;
- fire outbreak;
- short-circuit;
- motor block;
- electric shock;
- etc.;

**Turn off the vacuum cleaner, unplug it and ask for assistance from qualified personnel.**



**WARNING!**

**The vacuum cleaners must not be used or stored outdoors, or in damp places. Only versions with the level sensor can be used for liquids, if not, they can only be used to vacuum dry materials.**



**WARNING!**

**Version for liquids. If foam or liquid spills from the vacuum cleaner, switch it off immediately and check for the cause.**

# Vacuum cleaner description

## Labels

Figure 1

- 1 Identification plate  
Code of the model which includes technical specifications, serial number, EC marking, year of manufacture
- 2 Suction union hose
- 3 Control panel (normal version)
- 4 Control panel (version for vacuuming liquids)
- 5 Dust container
- 6 Filtering chamber
- 7 Exhaust
- 8 Attention plate  
Draws the operator's attention to the fact that the filter must only be shaken when the vacuum cleaner is off. Failing this, the shaking would have no effect while the filter itself could be damaged.
- 9 Panel power plate  
Indicates that the panel is powered by the voltage given on the data plate.
- 10 Inlet

This vacuum cleaner creates a strong air flow which is drawn in through the inlet (10) and blows out through the exhaust (7). After the hose and tools have been fitted, make sure that the motor turns correctly.

Before turning on the vacuum cleaner, fit the vacuum hose into the inlet and then fit the required tool on to the end part. Refer to the manufacturer's accessory catalogue or Service Centre.

This vacuum cleaner is equipped with an internal baffle plate which subjects the vacuumed substances to a circular centrifugal movement that makes them drop into the container. The vacuum cleaner is equipped with a filter which enables it to be used for the majority of applications.

## Optional kits

Various optional kits are available for converting the vacuum cleaner:

- Level gauge for liquids suction/stop
- Removable separator

On request, the vacuum cleaner can be supplied with optional kits already installed. However, they can also be installed at a later date.

Please contact the manufacturer's sales network for further details.

Instructions to install parts on request are included in the conversion kit.

**⚠ WARNING! ⚠**

*Use only genuine optional supplied and authorized by the manufacturer.*

## Accessories

Various accessories are available; refer to the manufacturer's accessory catalogue.

**⚠ WARNING! ⚠**

*Use only genuine accessories supplied and authorized by the manufacturer.*

## Packing and unpacking

Dispose of the packing materials in compliance with the laws in force.

Figure 2

Model	A (mm)	B (mm)	C (mm)	Kg
SOL 3 / BDC 3122	1,200	700	1,700	122
SOL 5 W / BDC 3140	1,200	700	1,700	147

GB

## Setting to work - connection to the power supply



**WARNING!**

- *Make sure that the vacuum cleaner is in perfect condition before commencing work.*
- *Before plugging the vacuum cleaner into the electrical mains, make sure that the voltage rating indicated on the data plate corresponds to that of the electrical mains.*
- *Plug the vacuum cleaner into a socket with a correctly installed ground contact/connection. Make sure that the vacuum cleaner is off.*
- *The plugs and connectors of the connection cables must be protected against splashed water.*
- *Make sure that connections to the electrical mains and plug are correct.*
- *Use the vacuum cleaners only when the cables that connect to the electrical mains are in perfect condition (damaged cables could lead to electric shocks!).*
- *Regularly check that the electric cable does not show signs of damage excessive wear, cracks or ageing.*



**WARNING!**

- When the vacuum cleaner is operating:*
- *Do not crush, pull, damage or tread on the cable that connects to the electrical mains.*
  - *Only disconnect the cable from the electrical mains by removing the plug (do not pull the cable).*
  - *Only replace the electric power cable with one of the same type as the original: HO7 RN - F. The same rule applies if an extension is used.*
  - *The cable must be replaced by the manufacturer's Service Centre staff or by equivalent qualified personnel.*

## Extensions

If an extension is used, make sure it is fit for the power draw and protection degree of the vacuum cleaner.

Minimum section of extension cables:

Maximum length = 20 m

Cable = HO7 RN - F.

Max power (kW)	3	5	15	22
Minimum section (mm <sup>2</sup> )	2.5	4	10	16



**WARNING!**

*Sockets, plugs, connectors and installation of the extension cable must maintain the IP protection degree of the vacuum cleaner, as indicated on the data plate.*



**WARNING!**

*The vacuum cleaner's power socket must be protected by a differential circuit-breaker with surge current limitation, that shuts off the power supply when the current dispersed towards ground exceeds 30 mA for 30 ms or an equivalent protection circuit.*



**WARNING!**

*Never spray water on the vacuum cleaner: such action constitutes a danger hazard for persons and could short circuit the power supply. Consult the latest edition of the European Union Directives, the Laws in the country of use and the current standards in force (UNI - CEI - EN), particularly European standard EN60335-2-69.*

GB

## Wet and dry applications

### [ NOTE ]

- *The supplied filter must be correctly installed.*
- *If the vacuum cleaner is used to vacuum liquids, make sure that the liquid level sensor activates and operates in the correct way.*

### ⚠ WARNING! ⚠

*Comply with the safety regulations governing the materials for which the vacuum cleaner is used.*

### ⚠ WARNING! ⚠

*If the version for liquids is used:*

- *Make sure that the liquid level sensor operates correctly before vacuuming liquids.*
- *If foam forms, stop the vacuum cleaner immediately and empty the container.*
- *Warning: Switch off the vacuum cleaner immediately if foam or liquid leaks out.*
- *Regularly clean the liquid level limiting device and check to make sure that there are no signs of damage.*
- *Warning: the dirty liquid collected by the vacuum cleaner must be considered conductive.*

## Maintenance and repairs

### ⚠ WARNING! ⚠

*Disconnect the vacuum cleaner from its power source before cleaning, servicing, replacing parts or converting it to obtain another variant, the plug must be removed from the socket.*

- *Carry out only the maintenance operations described in this manual.*
- *Use only original spare parts.*
- *Do not modify the vacuum cleaner in any way. Failure to comply with these instructions could jeopardize your safety. Moreover, such action would immediately void the EC declaration of conformity issued with the vacuum cleaner.*

### ⚠ WARNING! ⚠

*To carry out maintenance operations which are not described in this manual contact the manufacturer's Service Centre or our sales network.*

**Technical data**

Parameter	Unit	SOL 3	SOL 5 W	BDC 3122	BDC 3140
Voltage (50 Hz)	V	230/400	230/400	230/400	230/400
Power rating	kW	2.2	4	2.2	4
Noise level	dB(A)	71	74	71	74
Protection	IP	55	55	55	55
Insulation	Class	F	F	F	F
Capacity	L	60/100	60/100	100	100
Inlet (diameter)	mm	70	70	70	70
Max vacuum	mmH <sub>2</sub> O	3000	3000	3000	3000
Maximum air flow rate (without hose and reductions)	L/min'	5100	6600	5100	6600
Main filter surface	m <sup>2</sup>	1.95	1.95	1.95	1.95

**Dimensions**

Figure 3

Model		SOL 3	SOL 5 W	BDC 3122	BDC 3140
A (mm)	L 60	1330	1330	/	/
	L 100	1530	1530	1530	1530
B (mm)		1055	1055	1055	1055
C (mm)		670	670	670	670
Kg (1)		102	127	102	127

GB

(1) Net weight

[ NOTE ]

- *Storage conditions:*  
Temperature: -10°C + +40°C  
Humidity: ≤ 85%
- *Operating conditions:*  
Maximum altitude: 800 m  
(Up to 2,000 m with reduced performances)  
Temperature: -10°C + +40°C  
Humidity: ≤ 85%

**Controls, indicators and connections**

Figure 4

- 1 Container release lever
- 2 Castor lever
- 3 Manual filter shaker knob
- 4 Start/stop switch (normal version)
- 5 Start/stop switch (version for vacuuming liquids)

**Inspection prior to starting**

Figure 5

- 1 Inlet

Prior to starting, check that:

- The filter is installed.
- All latches are tightly locked.
- The vacuum hose and tools have been correctly fitted into the inlet (1).
- The bag or safety container is installed, if applicable.

Do not use the vacuum cleaner if the filter is faulty.

**Starting up**

Figure 6

- 1 Castor brakes
- 2 Start switch (normal version)
- 3 Start switch (version for vacuuming liquids)

Lock the castor brakes before starting the vacuum cleaner (1).

**Starting/stopping the vacuum cleaner**

**Normal version**

- Turn the switch (2) to "I" position to start the vacuum cleaner.
- Turn the switch to "O" position to turn the vacuum cleaner off.

**Version for vacuuming liquids**

- Turn the switch (3) to "I" position to start the vacuum cleaner.
- Turn the switch to "O" position to turn the vacuum cleaner off.

## Shaking the main filter

Figure 7

- 1 Main filter operating knob

Depending on the quantity of dust cleaned up, shake the main filter by means of the knob (1).



**Stop the vacuum cleaner before shaking the filter. Do not shake the filter while the vacuum cleaner is on, as this could damage the filter itself.**

## Emergency stopping

Turn the main switch to "0" position.

## Emptying the container



**Before proceeding with these operations, turn off the vacuum cleaner and remove the plug from the power socket.**

Before emptying the container it is advisable to clean the filter (see "Shaking the filter" paragraph).

Figure 8

- 1 Dust container

### Normal version

- Release the container (1), then remove and empty it.
- Make sure that the gasket is in perfect condition and correctly positioned.
- Place the container back in position and use the lever to secure it again.

### Version for vacuuming liquids

Make sure that the vacuum cleaner is equipped with a liquid level sensor and is suitable for vacuum liquids. Do not vacuum flammable liquids. If foam forms, turn off the vacuum cleaner immediately and empty the container. The filter element will be wet after liquids have been vacuumed. A wet filter element can quickly become clogged if the vacuum cleaner is then used to vacuum dry substances. For this reason, make sure that the filter element is dry or replace it with another one before using the vacuum cleaner for dry materials.

## Wet vacuuming kit assembly

Figure 9

- 1 Cable  
2 Cable  
3 Control panel  
4 Support  
5 Control panel

- Control panel replacement
  - Disconnect the cables (1) and (2) from the control panel (3).
  - Disassemble the control panel (3).
  - Install the support (4) on the frame.
  - Install the control panel (5) on the support (4).
  - Connect the cables (1) and (2) to the control panel (5).

Figure 10

- 1 Hole  
2 Hole

- Filtering chamber drilling
  - Drill holes (1) and (2) as shown in the figure.

Figure 11

- 1 Hole  
2 Hole  
3 Hose  
4 Hose  
5 Pressure switch

- Hose connection
  - Install the supplied unions into the holes (1): control panel side (2): opposite side of control panel
  - Connect the hoses (3): to the union installed into the hole (1) and to the pressure switch (5) (4): to the union installed into the hole (2) and to the pressure switch (5) (electrical connection side).
- Stop due to "container full"
 

When the liquid container is full, the vacuum cleaner automatically stops. To start the vacuum cleaner again:

  - Empty the container.
  - Reinsert the container.
  - Turn the switch to "0" position, then to "1" position.

GB



## At the end of a cleaning session

- Turn off the vacuum cleaner and remove the plug from the socket.
- Wind the connection cable around the cable carrier (Figure 12).
- Empty the container as described in the "Emptying the container" paragraph. Clean the vacuum cleaner as described in the "Maintenance, cleaning and decontamination" paragraph.
- Wash the container with clean water if aggressive substances have been vacuumed.
- Store the vacuum cleaner in a dry place, out of reach of unauthorized people.

## Maintenance, cleaning and decontamination



*The precautions described below must be taken during all the maintenance operations, including cleaning and replacing of the filter.*

- *To allow the user to carry out the maintenance operations, the vacuum cleaner must be disassembled, cleaned and overhauled as far as is reasonably possible, without causing hazards for the maintenance staff or other people. The suitable precautions include decontamination before disassembling the vacuum cleaner, adequate filtered ventilation of the exhaust air from the room in which it is disassembled, cleaning of the maintenance area and suitable personal protection.*

*Compartments that are not dust-tight must be opened with suitable tools (screwdrivers, wrenches, etc.) and thoroughly cleaned.*

- *Carry out a technical inspection at least once a year, e.g.: check the air filter to find out whether the air-tightness of the vacuum cleaner has been impaired in any way and make sure that the electric control panel operates correctly. This inspection must be carried out by the manufacturer or by a competent person.*



*Use only genuine spare parts supplied and authorized by the manufacturer.*

## Filter disassembly and replacement



*When the vacuum cleaner is used to vacuum hazardous substances, the filters become contaminated, thus:*

- *Work with care and avoid spilling the vacuumed dust and/or material;*
- *Place the disassembled and/or replaced filter in a sealed plastic bag;*
- *Close the bag hermetically;*
- *Dispose of the filter in accordance with the laws in force.*



*Filter replacement is a serious matter. The filter must be replaced with one of identical filtering surface characteristics.*

*Otherwise the vacuum cleaner will not operate correctly.*

## Filter replacement

Figure 13

- 1 Vacuum hose
- 2 Lever
- 3 Cover

Before proceeding with these operations, turn off the vacuum cleaner and remove the plug from the power socket.

- Remove the vacuum hose (1).
- Use the lever (2) to remove the lid (3) together with the filter.
- Remove the old filter from the cage.
- Fit the new filter and secure it in the cage with special clamps.
- Install the cover and the filter in the reverse order of removal.
- Dispose of the old filter according to the laws in force.

GB

### Motor cooling fan inspection and cleaning

Periodically clean the motor cooling fan to prevent the motor from overheating, especially if the vacuum cleaner is used in a dusty place.

### Seal inspection

Figure 14

- 1 Hose
  - 2 Hose
- Hoses check  
Make sure that connecting hose (1) is in a good condition and correctly fixed.  
If the hose is damaged, broken or badly connected to the unions, it must be replaced.  
When sticky materials are treated, check for possible clogging along the hose (2), in the inlet and on the baffle plate inside the filtering chamber.  
Scrape the inlet from the outside and remove the deposited waste as indicated in the figure.

Figure 15

- 1 Gasket
  - 2 Screws
  - 3 Filtering chamber
- Filtering chamber tightness check  
If the gasket (1) between the container and the filtering chamber (3) fails to guarantee tightness:
    - Loosen the four screws (2) that lock the filtering chamber (3) against the vacuum cleaner structure.
    - Allow the filtering chamber (3) to lower down and tighten the screws once it has reached the tightness position (2).
 The gasket (1) must be replaced if it is torn, cut, etc...  
Replace the gasket (1) if the degree of tightness is still not optimum.

### Separator cleaning and replacement (if equipped)

Figure 16

- 1 Separator
- 2 Lever
- 3 Cover
- 4 Screws

[ NOTE ]

*If there is only a dust deposit on the separator (1) allow the dust to drop through the central hole.*

The separator (1) should first be disassembled in order to be perfectly cleaned:

- Use the lever (2) to remove the lid (3) together with the filter.
- Unscrew the two screws (4) and remove it from the container.  
Replace the part if it is excessively worn. Assemble the components in the reverse order of disassembly.

### Vacuum cleaner disposal

Dispose of the vacuum cleaner in compliance with the laws in force.

### Wiring diagrams

#### Basic vacuum cleaner

Figure 17

- 1 Plug
- 2 Vacuum cleaner
- 3 Circuit breaker

Name	Part	Code	
		SOL 3 BDC 3122	SOL 5 W BDC 3140
Q1	Circuit breaker	8 391156	8 391157
	Box for Q1	8 391052	8 391052



#### Wet vacuuming kit

Figure 18

- 1 Power supply
- 2 Transformer
- 3 Liquid sensor
- 4 Auto release
- 5 Vacuum cleaner
- 6 Circuit breaker

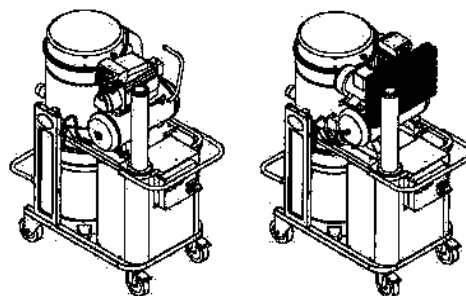
Name	Part	Code	
		SOL 3 BDC 3122	SOL 5 W BDC 3140
Q1	Circuit breaker	8 39915	8 39916
	Handle for Q1	8 39954	8 39954
B1	Auto release	8 391142	8 391142
PR1	Pressure switch	8 40841	8 40841
F1 - F2	Fuse holder	8 39244	8 39244
TR1	Transformer	8 391050	8 391050

## Troubleshooting

Fault	Causes	Remedies
The vacuum cleaner suddenly stops	Clogged main filter	Shake the filter. Replace it if this is not sufficient.
	Clogged vacuum hose	Check the vacuum hose and clean it.
	Circuit breaker activation	Check the setting. Check the motor electrical input. Empty the container. Contact an authorized after-sales service centre if necessary.
Dust leaks from the vacuum cleaner	The filter is torn	Replace it with another of identical category.
Electrostatic current on the vacuum cleaner	Non existent or inefficient grounding	Check all ground connections. Especially check the inlet. Lastly, the hose must be strictly antistatic.
Liquid leaks from the vacuum cleaner	The level monitoring function does not work	Contact an authorized Service Centre.
The vacuum cleaner does not start after emptying the container	The level monitoring hose is clogged	Release the container and clean the level sensor.

GB

# BDC3140P



**Catalogo parti di ricambio**  
*Catalogue des pièces de rechange*  
**Ersatzteilkatalog**  
*Spare parts catalogue*  
**Catalogo de piezas de repuesto**

**Il presente catalogo ricambi vale per i seguenti modelli di aspiratori:**  
*Ce catalogue de pièces détachées est valable pour les modèles d'aspirateurs suivants:*  
**Dieser Ersatzteilkatalog gilt für die folgenden Modelle der Industriesauger:**  
*This parts catalogue covers the following models:*  
**El presente catálogo de repuestos tiene validez para los modelos de aspiradores:**

BDC3140P

Le istruzioni, i disegni, le tabelle e quant'altro è contenuto nel presente fascicolo sono di natura tecnica riservata e, per questo, ogni informazione non può essere riprodotta, né completamente né parzialmente, e non può essere comunicata a terzi senza l'autorizzazione scritta del produttore che ne è il proprietario esclusivo e che si riserva il diritto di apportare senza preavviso tutte quelle modifiche che riterrà opportune.

---

Die Anweisungen, Abbildungen, Tabellen und alle weiteren Angaben in diesem Handbuch sind vertrauliche Angaben technischer Natur. Aus diesem Grunde dürfen sie wieder vollständig noch teilweise kopiert werden bzw. ohne Erlaubnis vom Hersteller Dritten zugänglich gemacht werden. Der Hersteller selbst ist alleiniger Urheber und behält sich das Recht vor, ohne Vorankündigung alle Abänderungen durchzuführen, die sie für richtig erachtet.

---

Les instructions, les dessins, les plans et toutes autres informations contenues dans ce livret sont des données techniques réservées. Pour cela aucune information ne peut être reproduite ni entièrement ni partiellement et ne peut être communiquée à tiers sans autorisation écrite du constructeur qui en est le propriétaire exclusif. Celle-ci se réserve aussi le droit d'effectuer sans avis préalable toutes les modifications qu'elle estimera nécessaires.

---

*All instruction, drawing, tables and any other information herein contained, are to be considered herein contained, are to be considered as confidential technical descriptions. Therefore, no information nor data shall be reproduced neither entirely nor partially and no information may be passed to third parties without written authorization by the manufacturer who is the sole proprietor of it and who reserves the right of any modification, that are considered suitable, without, prior notice.*

---

*Las instrucciones, los dibujos, las tablas y demás que se encuentran en el presente folleto son de naturaleza técnica reservada y, por tanto, las informaciones no pueden ser reproducidas ni en su totalidad ni en parte y no pueden ser comunicadas a terceros sin la autorización escrita del productor que es el propietario exclusivo y que se reserva el derecho de hacer las modificaciones que considere oportunas sin aviso anticipado.*

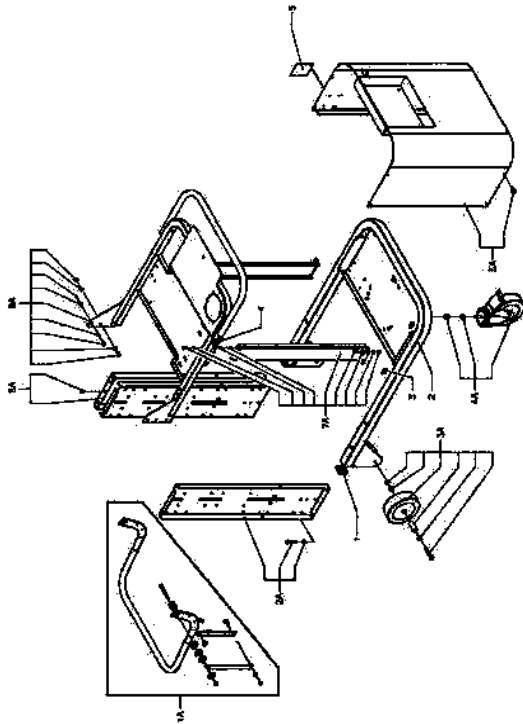
---

Norme per la consultazione del catalogo - Comment consulter ce catalogue  
 Für die Katalogbenutzung - How to consult the catalogue - Normas para consultar el catálogo

Mod.  
BDC3140P



- 1 - Modello della macchina**  
*Modèle de la machine - Maschinentyp*  
*Machine model - Modelo de la máquina*
- 2 - Numero della tavola con indice di modifica**  
*Numéro du plan avec indice de révision*  
**Nummer mit Änderungszahl**  
*Table number with modification indication*  
**Número de la lámina con índice de modificación**



- 3 - Numero di posizione del particolare**  
*Numéro de position de la pièce - Positionsnummer des Teils*  
*Position number of part - Número de posición de la pieza*  
*Nota: nel manuale, i particolari inox hanno lo stesso numero di posizione dei particolari standard.*  
*Remarque: dans le manuel les pièces en acier inoxydable ont le même numéro de position que les pièces standard.*  
*Hinweis: im Handbuch haben die Teile aus Edelstahl rostfrei die gleiche Positionsnummer wie die Standardteile.*  
*Note: in the manual, stainless steel parts have the same position number as standard parts.*

Mod. BDC3140P TAV. 1-R0

POS. IN CODICE	DESCRIZIONE	DESKRIPTION	BEZEICHNUNG	DESCRIPTION	DESKRIPCIONES
1	B 4025	base	basen	base	base
2	B 9389	carrello	carret	car	carro
3	B 4307	base	basen	base	base
4	2N0028	base	basen	base	base
5	9088.1702	spina	pin	pin	pin

- 4 - Numero di codice del particolare**  
*Numéro de code de la pièce - Best. Nr. des Teils*  
*Code number of part - Número de código de la pieza*
- 5 - Quantità di particolari per tavola**  
*Quantité de pièces par plan - Stückzahl der Teile*  
*Quantity of parts per table - Cantidad de piezas por lámina*

**NORME PER LE ORDINAZIONI  
DEI PEZZI DI RICAMBIO**

*Le ordinazioni dei ricambi devono essere corredate dalle seguenti indicazioni:*

- A) *Modello della macchina*
- B) *Numero di matricola*
- C) *Numero di identificazione del ricambio richiesto*
- D) *Quantità richiesta*
- E) *Denominazione*

**POUR COMMANDER LES  
PIECES DETACHEES**

*Donner toujours les indications suivantes:*

- A) *Type de la machine*
- B) *Numéro de série*
- C) *Code de la pièce*
- D) *Quantité demandée*
- E) *Dénomination de la pièce*

**BESTELLWEG**

*Ersatzteilebestellungen müssen mit den folgenden Angaben ausgestattet werden:*

- A) *Maschinentyp*
- B) *Fabriknummer*
- C) *Teilkennzeichen*
- D) *Menge je Teil*
- E) *Teilbenennung*

**HOW TO ORDER SPARE  
PARTS**

*Any order for spare parts should be completed with the following datas:*

- A) *Machine model*
- B) *Serial number*
- C) *Identification code number of the part required*
- D) *Quantity required*
- E) *Part denomination*

**NORMAS PARA HACER UN  
PEDIDO**

*En todos los pedidos debe indicarse los siguientes datos:*

- A) *Modelo de la máquina*
- B) *Numero de la matricula*
- C) *Numero de código*
- D) *Cantidad pedida*
- E) *Denominación*

**TAV. 1-R0**

TELAIO  
CHASSIS  
RAHMEN  
FRAME  
CHASIS

**TAV. 9-R0**

QUADRO ELETTRICO  
TABLEAU ELECTRIQUE  
ELEKTRISCHE SCHALTBRETT  
ELECTRIC BOARD  
CUADRO ELECTRICO

**TAV. 2-R0**

GRUPPO CONTENITORE  
GROUPE CONTENEUR  
BEHAELTERGRUPPE  
CONTAINER UNIT  
GRUPO CONTENEDOR

**TAV. 3-R0**

GRUPPO FILTRO  
ENSEMBLE FILTRE  
FILTEREINHEIT  
FILTER GROUP  
GRUPO FILTRO

**TAV. 4-R0**

GRUPPO COMPRESSORE  
GROUP COMPRESSEUR  
KOMPRESSOREINHEIT  
COMPRESSOR UNIT  
GRUPO COMPRESOR

**TAV. 5-R0, 6-R0, 7-R0**

GRUPPO ASPIRAZIONE  
GROUPE ASPIRATION  
SAUGEINHEIT  
SUCTION UNIT  
GRUPO ASPIRACION

**TAV. 8-R0**

IMPIANTO ELETTRICO  
INSTALLATION ELECTRIQUE  
ELEKTRISCHEANLAGEN  
ELECTRIC SYSTEM  
INSTALACIONE ELECTRICA



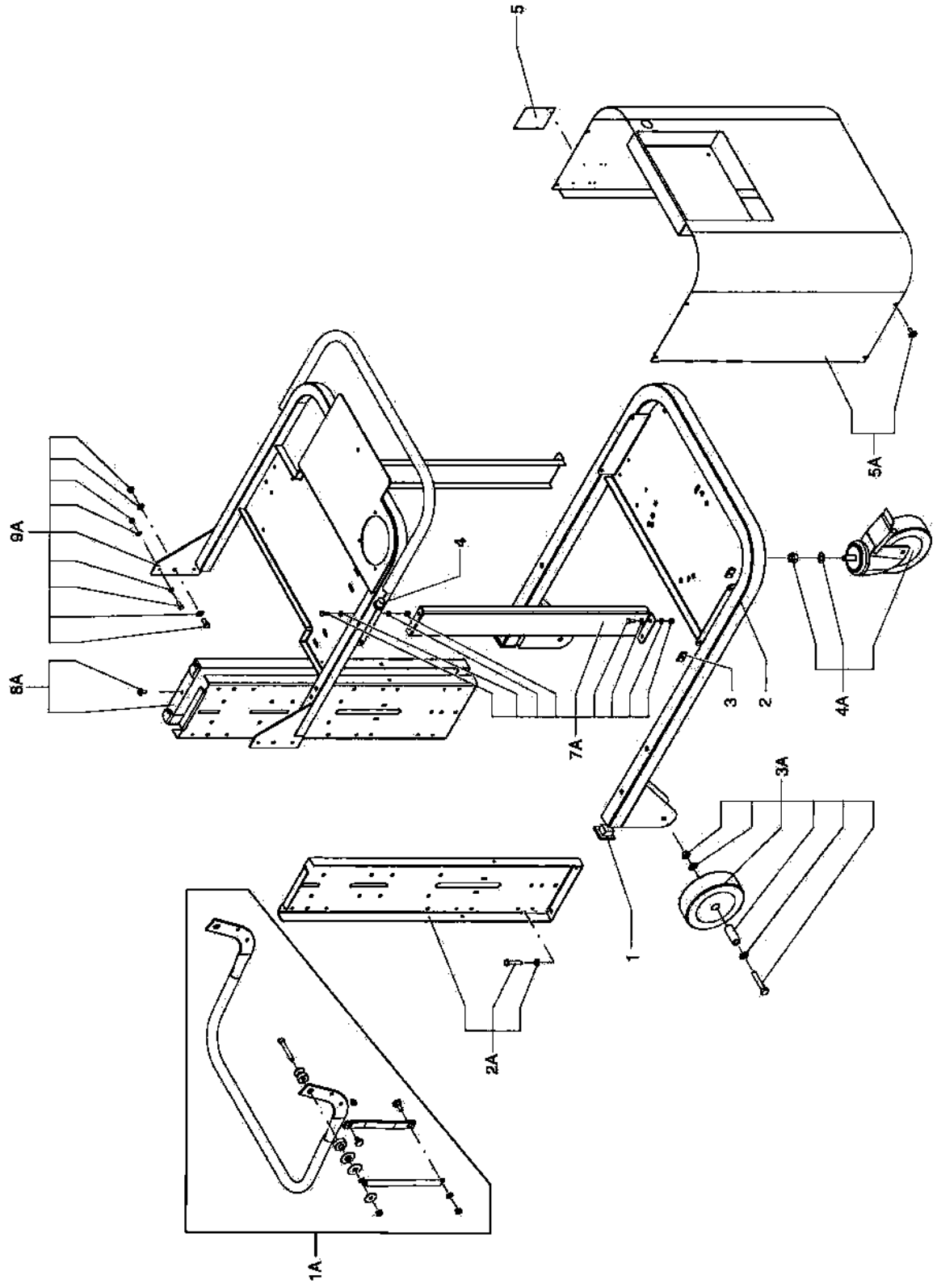


**MACCHINA BASE**  
**MACHINE STANDARD**  
**STANDARDMASCHINE**  
**STANDARD MACHINE**  
**MAQUINA BASE**

TELAIO - CHASSIS - RAHMEN  
FRAME - ESTRUCTURA

TAV.  
1-R0

Mod.  
BDC3140P

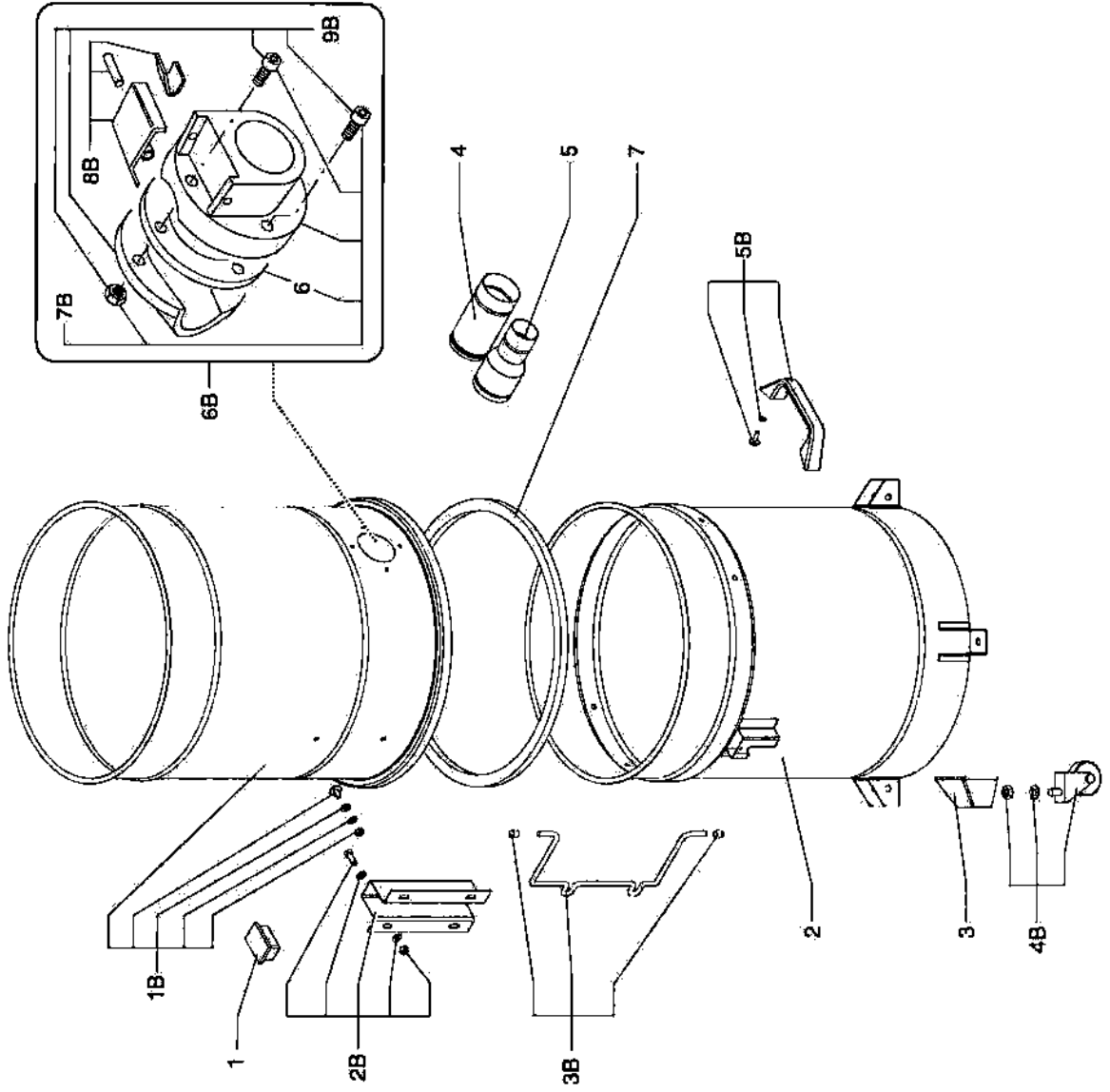


POS.	N°CODICE	Q	DESCRIZIONE	DESIGNATION	BENENNUNG	DESCRIPTION	DENOMINACIONES
1	8 40035	2	tappo	bouchon	abdeckung	plug	tapon
2	8 36358	1	carrello	chariot	fahrgestell	car	vagoneta
3	8 40037	4	diado	ecrou	mutter	nut	tuerca
4	32400039	2	tappo	bouchon	abdeckung	plug	tapon
5	S08BL17032	1	targhetta	plaque	typenschild	plate	placa
1A	40000485	1	kit leva di sgancio	—	—	kit release lever	—
2A	40000823	2	kit montante	—	—	pillar kit	—
3A	40000434	1	kit ruota fissa	—	—	kit fix astor	—
4A	40000433	1	kit ruota pivott.	—	—	kit revolv. castor	—
5A	40000822	1	kit carter	—	—	carter kit	—
7A	40000824	1	kit sostegno telaio	—	—	chassis support kit	—
8A	40000479	1	kit fianchetti	—	—	side panel kit	—
9A	40000821	1	kit telaio portacompressore	—	—	compressor holder kit	—

**GRUPPO CONTENITORE - GROUPE CONTENEUR - BEHAELTERGRUPPE  
CONTAINER UNIT - GRUPO CONTENEDOR**

**TAV.  
2-R0**

**Mod.  
BDC3140P**

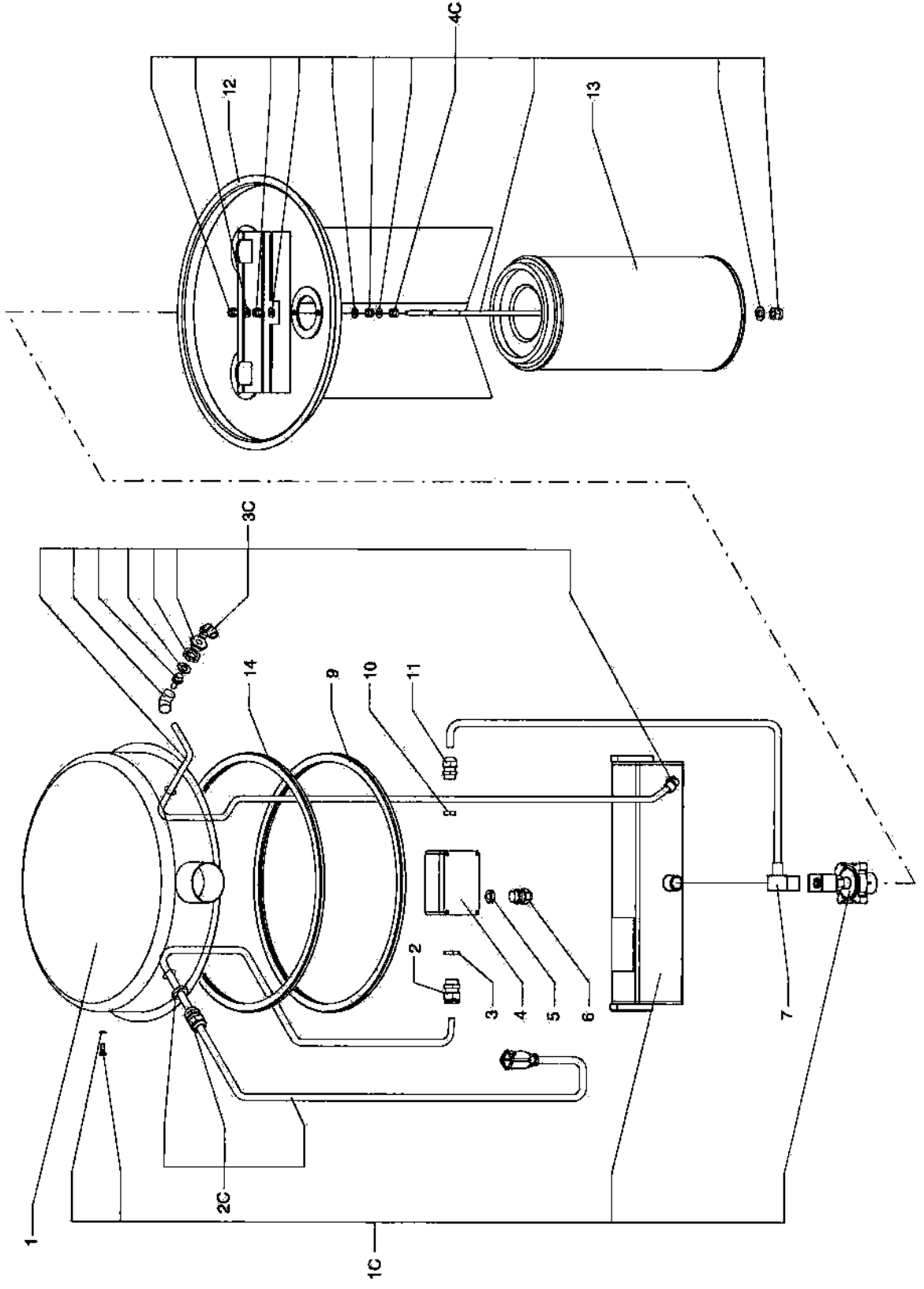


POS.	N°CODICE	Q	DESCRIZIONE	DESIGNATION	BENENNUNG	DESCRIPTION	DENOMINACIONES
1	8 40386	2	tappo	bouchon	abdeckung	plug	tapon
2	8 30278 5005	1	contenitore	chambre	behälter	container	contener
3	8 17021	4	paraurti	pare-chocs	schutz	bumper	paragolpes
4	7 21001	1	raccordo 70/70	raccord	verschraubung	connection	racor
5	7 22001	1	raccordo 70/50	raccord	verschraubung	connection	racor
6	8 17006	1	guarnizione	joint	dichtung	seal	junta
7	40000762	1	guarnizione	joint	dichtung	seal	junta
1B	40000483	1	kit laterale D460	—	—	kit filter chamber	—
2B	40000826	1	kit supporto laterale	—	—	side support kit	—
3B	40000825	1	kit portacavo	—	—	cable holder kit	—
4B	40000419	1	kit ruote contenitore	—	—	kit wheels for container	—
5B	40000423	1	kit maniglia	—	—	kit handle	—
6B	40000397	1	kit bocchettone D70 compl. fe	—	—	kit complete inlet fe D70	—
7B	40000343	1	kit bocchettone fe D70	—	—	kit inlet fe D70	—
8B	40000345	1	kit pulsante per bocchettone D70	—	—	kit pushbutton for inlet D70	—
9B	40000395	1	kit deflettore D70	—	—	kit deflector D70	—

**GRUPPO FILTRO - ENSEMBLE FILTRE - FILTEREINHEIT  
FILTER GROUP - GRUPO FILTRO**

**Mod.  
BDC3140P**

**TAV.  
3-RO**



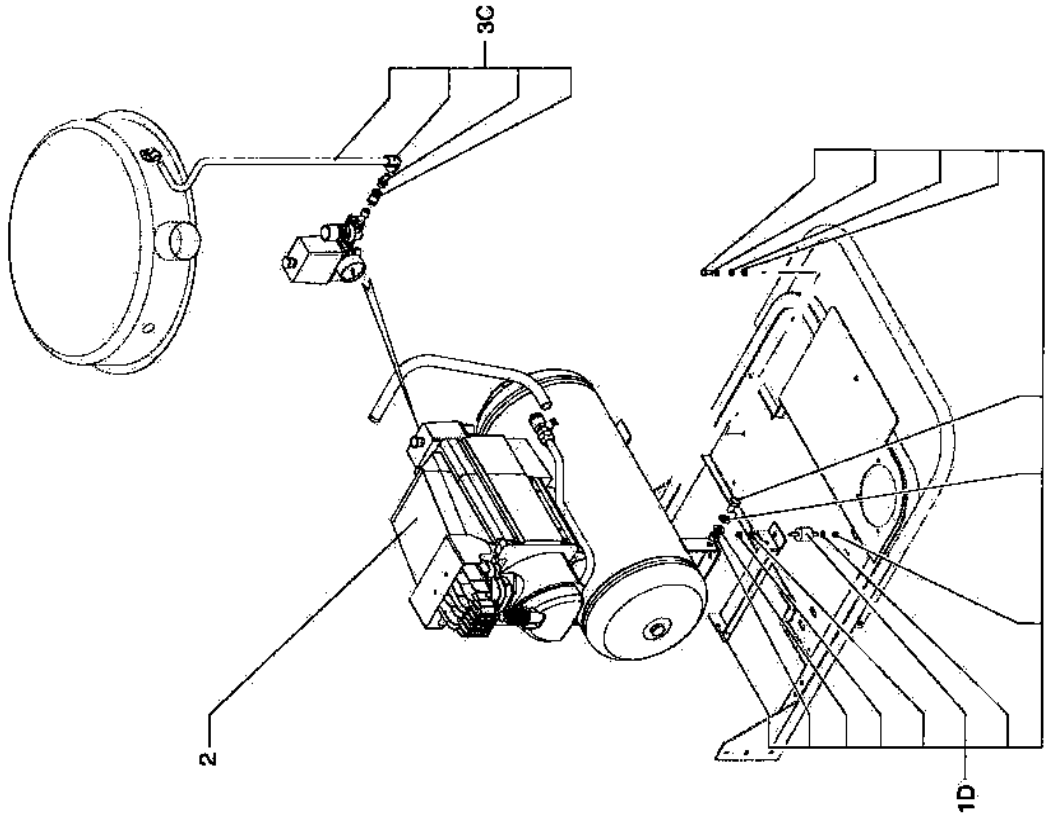
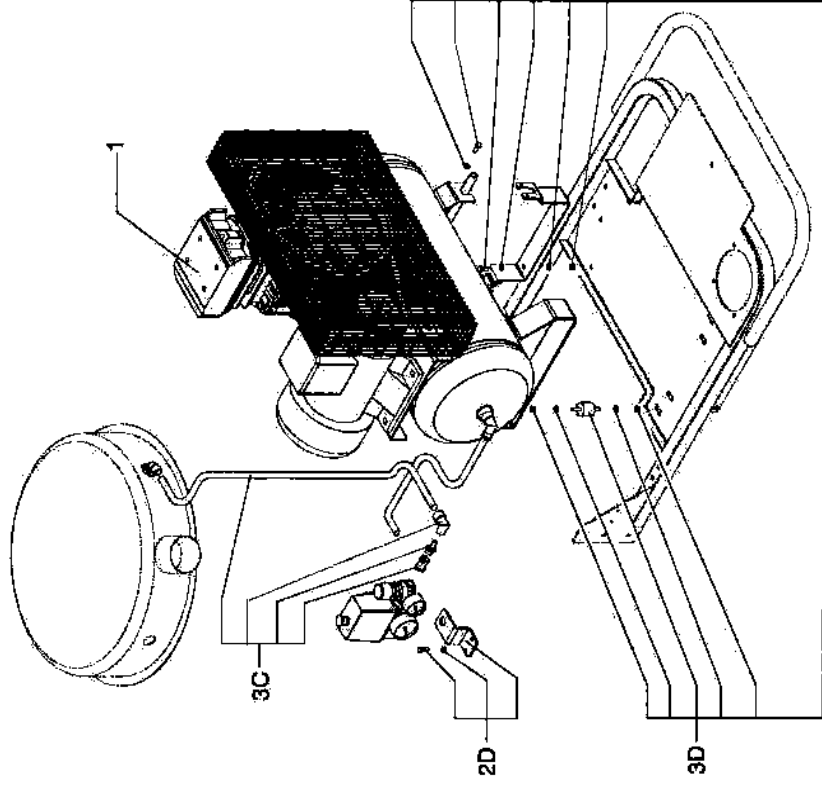
POS.	N°CODICE	Q	DESCRIZIONE	DESIGNATION	BENENNUNG	DESCRIPTION	DENOMINACIONES
1	4083100772	1	cappello	chapeau	deckel	cap	capa
2	8 39055	1	pressacavo	presse - cable	kabeldruck	cable press	fija - cable
3	8 39568	1	ghiera	siege	nutmutter	ring nut	arandela
4	8 39365	1	scatola	carter	gehause	gearbox	caja
5	8 39567	1	ghiera	siege	nutmutter	ring nut	arandela
6	8 39208	1	pressacavo	presse - cable	kabeldruck	cable press	fija - cable
7	8 39979	3	cavo	cabie	elektrokabel	cable	cable
9	8 17026	1	guarnizione	joint	dichtung	seal	junta
10	8 39567	1	ghiera	siege	nutmutter	ring nut	arandela
11	8 39208	1	pressacavo	presse - cable	kabeldruck	cable press	fija - cable
12	4083300347	1	disco porta cartuccia	disque cartouches	patronenträger	cartridge disk	disco cartucho
13	S08BL33008	3	filtro a cartuccia	filtre cartouches	filterpatrone	cartridge filter	filtro cartucho
14	8 36191	1	chiusura a fascia	fermeture a bande	bandverschluss	closure with band	cierre a faja
1C	40000827	1	kit serbatoio aria	—	—	air tank kit	—
2C	40000828	1	kit cavo alimentazione elettrovavole	—	—	mobile electrovalve power cable	—
3C	40000830	1	kit collegamento pneumatico	—	—	pneumatic connection kit	—
4C	40000829	1	kit staffe fissaggio filtri	—	—	filter brackets	—



**GRUPPO COMPRESSORE - GROUP COMPRESSEUR - KOMPRESSOREINHEIT  
COMPRESSOR UNIT - GRUPO COMPRESOR**

**Mod.  
BDC3140P**

**TAV.  
4-R0**



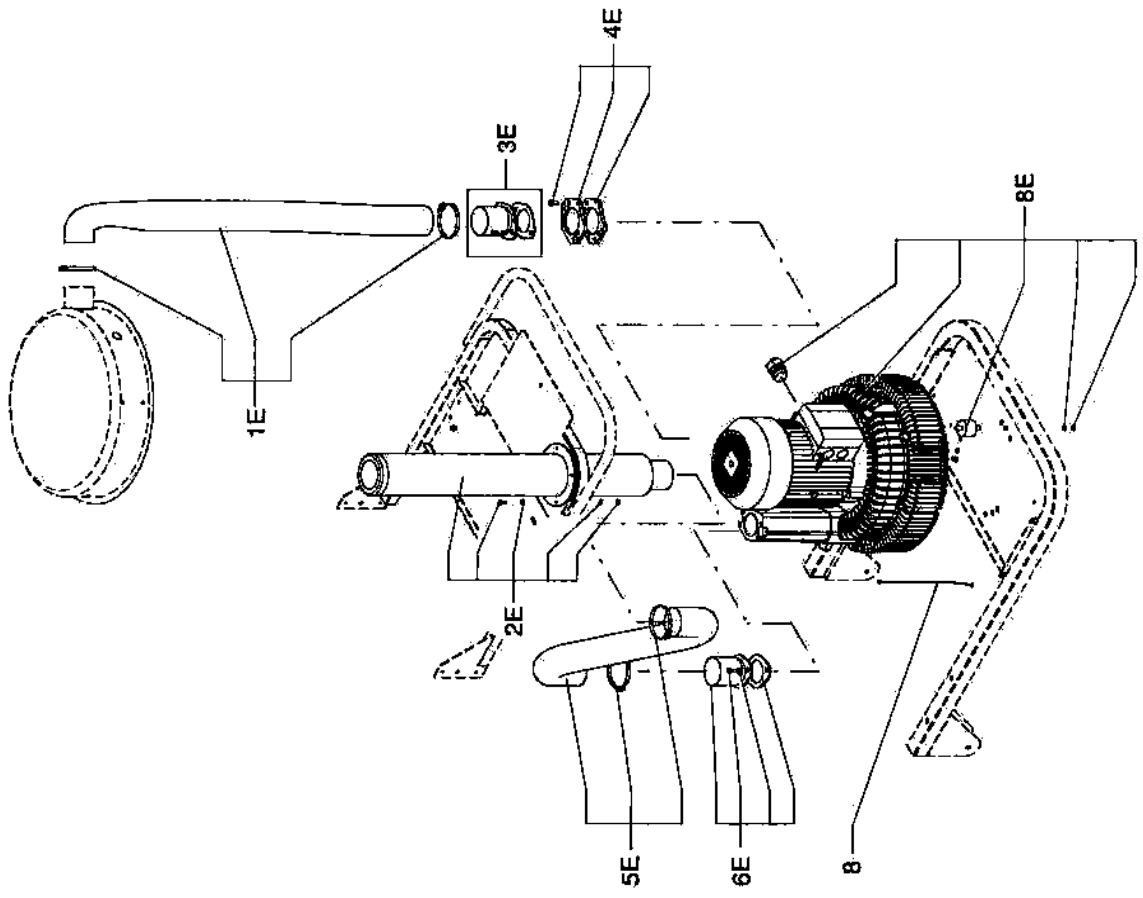
POS. N°	CODICE	Q	DESCRIZIONE	DESIGNATION	BENENNUNG	DESCRIPTION	DENOMINACIONES
1	4085600138	1	compressore 220V 60Hz	compresseur 220V 60Hz	verdichter 220V 60Hz	compressor 220V 60Hz	compresor 220V 60Hz
1	4085600137	1	compressore 440V 60Hz	compresseur 440V 60Hz	verdichter 440V 60Hz	compressor 440V 60Hz	compresor 440V 60Hz
2	4085600136	1	compressore 400V 50Hz	compresseur 400V 50Hz	verdichter 400V 50Hz	compressor 400V 50Hz	compresor 400V 50Hz
1D	40000831	1	kit fissaggio compressore 50 Hz	—	—	compressor fixing kit	—
2D	40000832	1	kit supporto pressostato	—	—	pressure gauge support kit	—
3D	40000833	1	kit fissaggio compressore 60 Hz	—	—	compressor fixing kit	—

**GRUPPO ASPIRAZIONE - GROUPE ASPIRATION - SAUGEINHEIT  
SUCTION UNIT - GRUPO ASPIRACION**

**TAV.  
5-R0**

**Mod.  
BDC3140P**

**400V 50HZ**



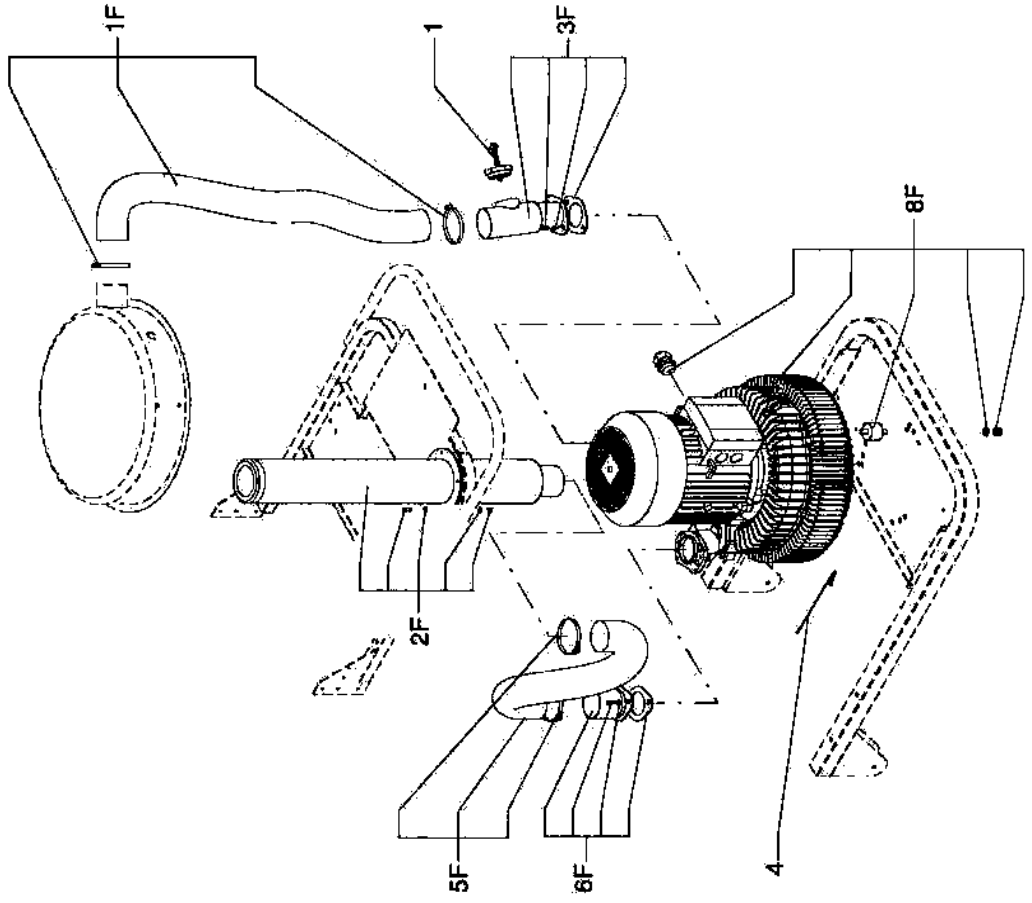
POS.	N°CODICE	Q	DESCRIZIONE	DESIGNATION	BENENNING	DESCRIPTION	DENOMINACIONES
8	8 39668	1	cavo	cable	elektrokabel	cable	cable
1E	40000716	1	kit tubo aspirazione	—	—	suction hose kit	—
2E	40000834	1	kit silenziatore	—	—	silencer kit	—
3E	40000556	1	kit raccordo soffiante D70	—	—	blow. connection D70 kit	—
4E	40000820	1	kit adattatore aspirazione	—	—	adaptor suction kit	—
5E	40000557	1	kit tubo soffiaggio	—	—	kit blowing tube	—
6E	40000556	1	kit raccordo soffiante D70	—	—	blow. connection D70 kit	—
8E	40000841	1	kit soffiante HP 5,5 V400 Hz50	—	—	suction unit kit HP 5,5 V400 Hz50	—

**GRUPPO ASPIRAZIONE - GROUPE ASPIRATION - SAUGEINHEIT  
SUCTION UNIT - GRUPO ASPIRACION**

**Mod.  
BDC3140P**

**TAV.  
6-RO**

**230V 60Hz**



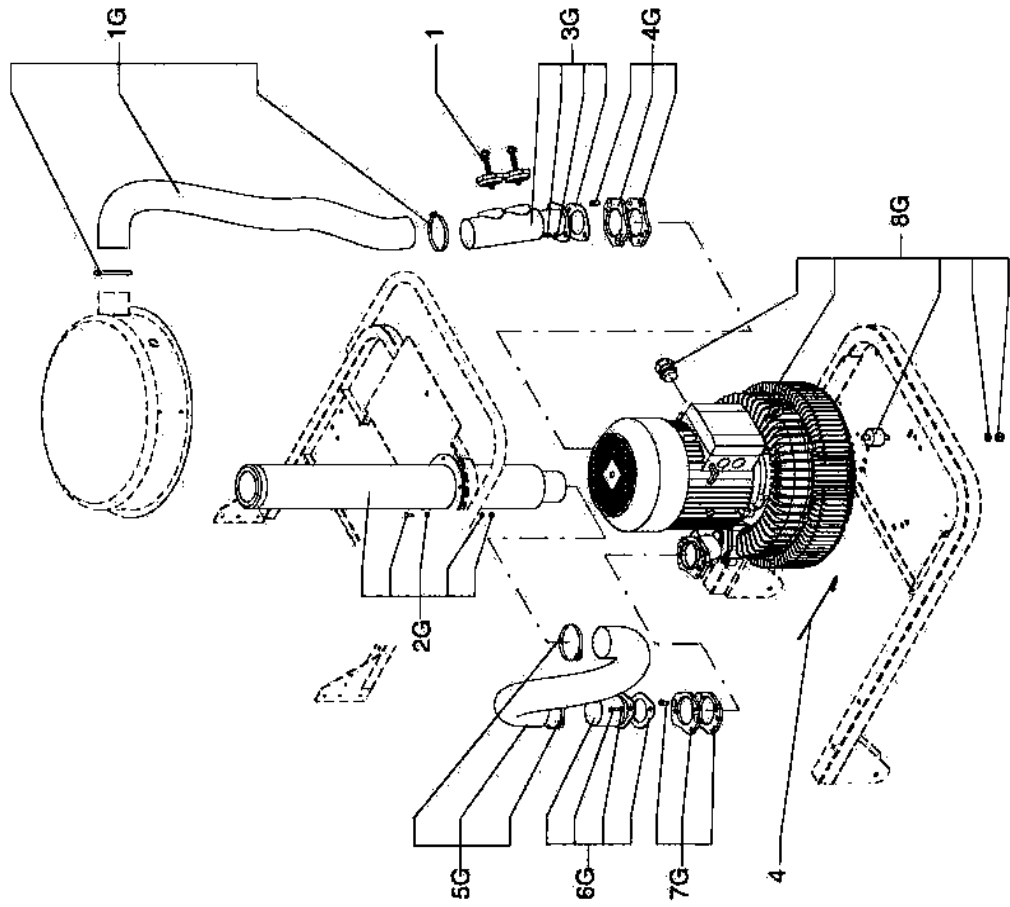
POS.	N°CODICE	Q	DESCRIZIONE	DESIGNATION	BENENNUNG	DESCRIPTION	DENOMINACIONES
1	8 34024	1	valvola	soupape	ventil	valve	valvula
4	8 39688	1	cavo	cable	elektrokabel	cable	cable
1F	40000716	1	kit tubo aspirazione	—	—	kit suction tube	—
2F	40000834	1	kit silenziatore	—	—	kit silencer	—
3F	40000835	1	kit raccordo aspirazione	—	—	kit suction connection	—
5F	40000557	1	kit tubo soffiaggio	—	—	kit blowing tube	—
6F	40000558	1	kit raccordo soffiante D70	—	—	blow. connection D70 kit	—
8F	40000842	1	kit soffiante kW 4 V230 Hz60	—	—	suction unit kit kW 4 V230 Hz60	—

**GRUPPO ASPIRAZIONE - GROUPE ASPIRATION - SAUGEINHEIT  
SUCTION UNIT - GRUPO ASPIRACION**

**Mod.  
BDC3140P**

**TAV.  
7-RO**

**440V 60HZ**



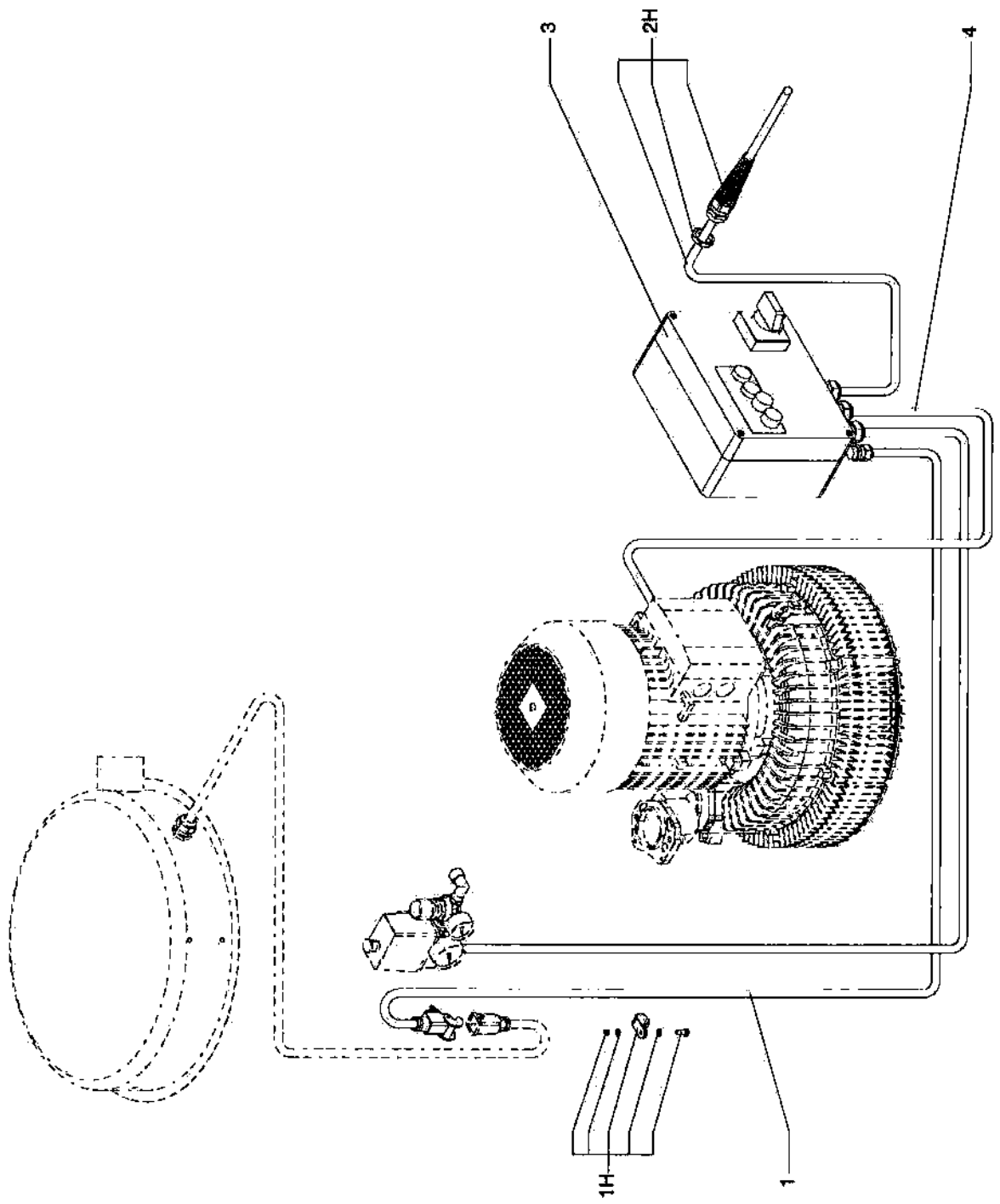
POS.	N°CODICE	Q	DESCRIZIONE	DESIGNATION	BENENNUNG	DESCRIPTION	DENOMINACIONES
1	8 34024	2	valvola	soupape	ventil	valve	valvula
4	8 39868	1	cavo	cable	elektrokabel	cable	cable
1G	40000716	1	kit tubo aspirazione	—	—	kit suction tube	—
2G	40000834	1	kit silenziatore	—	—	kit silencer	—
3G	40000843	1	kit racc. soff. D70 con 2 lfm.	—	—	blower junction D70 kit	—
4G	40000820	1	kit adattatore aspirazione	—	—	adaptor suction kit	—
5G	40000557	1	kit tubo soffiaggio	—	—	kit blowing tube	—
6G	40000556	1	kit raccordo soffiante D70	—	—	blow. connection D70 kit	—
7G	40000820	1	kit adattatore aspirazione	—	—	adaptor suction kit	—
8G	40000844	1	kit soffiante V440 Hz60	—	—	suction unit kit V440 Hz60	—



**IMPIANTO ELETTRICO - INSTALLATION ELECTRIQUE - ELEKTRISCHEANLAGEN  
ELECTRIC SYSTEM - INSTALACIONE ELECTRICA**

**Mod.  
BDC3140P**

**TAV.  
8-R0**

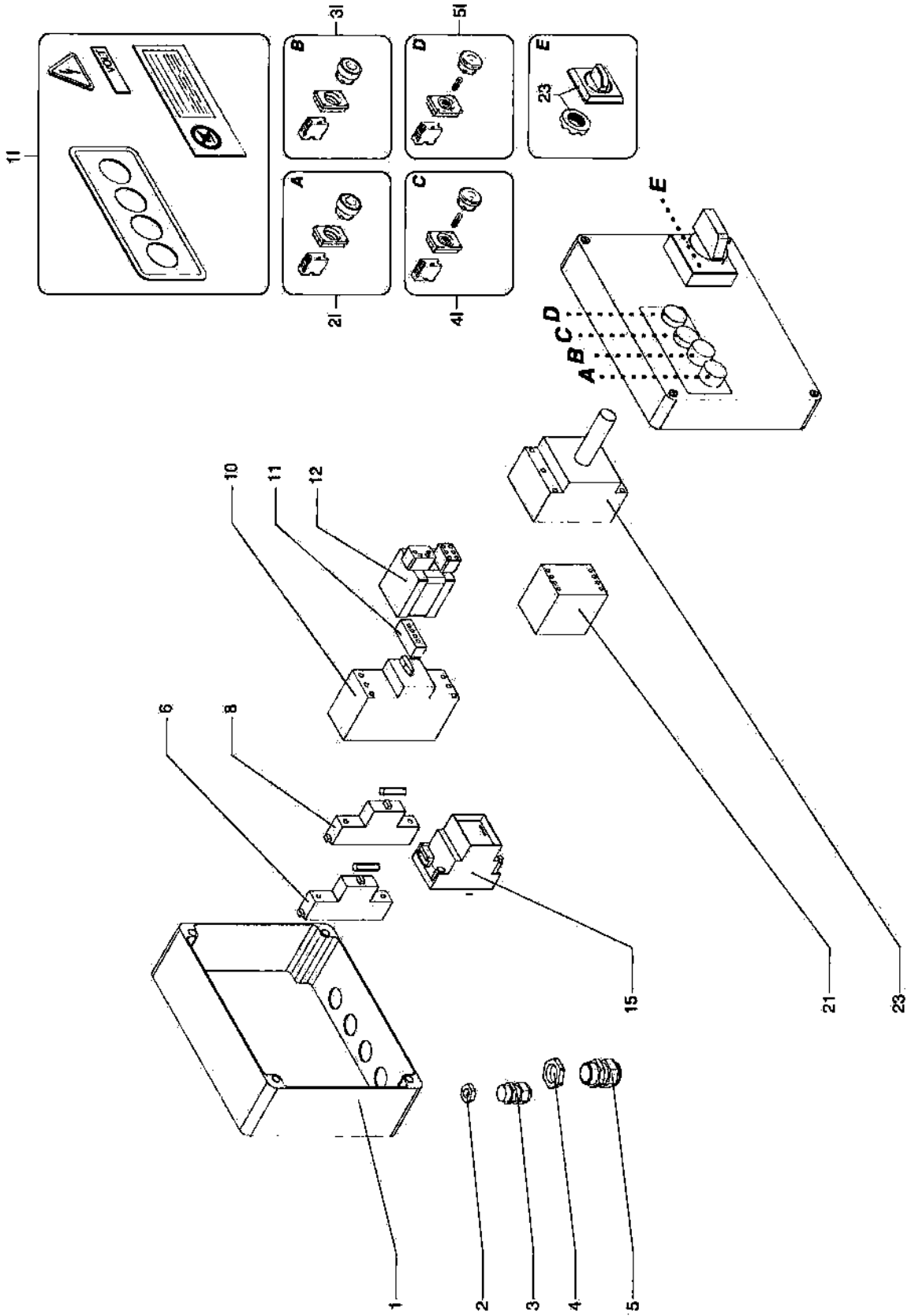


POS.	N° CODICE	Q	DESCRIZIONE	DESIGNATION	BENENNUNG	DESCRIPTION	DENOMINACIONES
1	40000836	1	kit cavo	kit cable	schutzleiter	cable kit	kit cable
3	4084100933	1	quadro elettrico V400 Hz50	tableau electrique	elektrische schaltbrett	V400 Hz50 electric board	cuadro electrico
3	4084100935	1	quadro elettrico V230 Hz60	tableau electrique	elektrische schaltbrett	V230 Hz60 electric board	cuadro electrico
3	4084100934	1	quadro elettrico V440 Hz60	tableau electrique	elektrische schaltbrett	V440 Hz60 electric board	cuadro electrico
4	8 391079	1	cavo (V400 Hz50 / V440 Hz60)	cable	elektrokabel	cable (V400 Hz50 / V440 Hz60)	cable
4	8 391281	1	cavo (V230 Hz60)	cable	elektrokabel	cable (V230 Hz60)	cable
1H	40000837	1	kit fermacavo	--	--	cable holder kit	--
2H	40000838	1	kit cavo alimentazione V230 Hz60	--	--	power cable V230 Hz60 kit	--
2H	40000839	1	kit cavo alimentazione V400 Hz50	--	--	power cable V400 Hz50 kit	--
2H	40000840	1	kit cavo alimentazione V440 Hz60	--	--	power cable V440 Hz60 kit	--

**QUADRO ELETTRICO - TABLEAU ELECTRIQUE - ELEKTRISCHE SCHALTBRETT  
ELECTRIC BOARD - CUADRO ELECTRICO**

**Mod.  
BDC3140P**

**TAV.  
9-R0**



POS.	N°CODICE	Q	DESCRIZIONE	DESIGNATION	BENENNING	DESCRIPTION	DENOMINACIONES
1	8 391165	1	scatola	carter	gehäuse	gearbox	caja
2	8 39843	1	ghiera	siège	nutmutter	ring nut	arandela
3	8 39942	1	pressacavo	presse - cable	kabeldruck	cable press	fija - cable
4	8 39944	3	ghiera	siège	nutmutter	ring nut	arandela
5	8 39793	3	pressacavo	presse - cable	kabeldruck	cable press	fija - cable
6	8 39244	1	portafusibili	porte-fusibles	sicherungshalter	fuse holder	porte-fusibles
8	8 39244	1	portafusibili	porte-fusibles	sicherungshalter	fuse holder	porte-fusibles
10	8 39535	1	salvatore (V230 Hz60)	sauvé-moteur	schutzschalter	overload cutout (V230 Hz60)	sauvé-moteur
10	8 39916	1	salvatore (V400 Hz50)	sauvé-moteur	schutzschalter	overload cutout (V400 Hz50)	sauvé-moteur
10	8 39014	1	salvatore (V440 Hz60)	sauvé-moteur	schutzschalter	overload cutout (V440 Hz60)	sauvé-moteur
11	8 39726	1	contatto	contact	kontakt	contact	contacto
12	8 31050	1	trasformatore (V230 Hz60)	transformateur	transformator	transformer	transformador
12	8 391050	1	trasformatore (V400 Hz50)	transformateur	transformator	transformer	transformador
12	8 391050N4	1	trasformatore (V440 Hz60)	transformateur	transformator	transformer	transformador
15	8 391107	1	temporizzatore	timer	zeitrelais	timer	temporizador
21	8 39102	1	teleruttore (V230 Hz60)	telerupteur	schuetzschalter	remote switch	teleruptor
21	8 39281	1	teleruttore (V400 Hz50)	telerupteur	schuetzschalter	remote switch	teleruptor
21	8 391005	1	teleruttore (V440 Hz60)	telerupteur	schuetzschalter	remote switch	teleruptor
23	8 39989	1	interruttore generale	interrupteur	hauptschalter	main switch	interruptor
11	40000846	1	kit adesivi l.e.	—	—	label kit	—
21	40000562	1	kit pulsante verde	—	—	green button kit	—
31	40000565	1	kit pulsante rosso	—	—	red button kit	—
41	40000595	1	kit spia bianca	—	—	white indicator kit	—
51	40000596	1	kit spia rossa	—	—	red indicator kit	—

---

### **IMPORTANTE**

Le informazioni ed i dati contenuti in questa pubblicazione erano esatti ed aggiornati al momento della stampa. E' nostra consuetudine cercare di migliorare il prodotto e di conseguenza alcune modifiche costruttive possono interessare le procedure descritte. Quando si notino delle differenze eliminare ogni dubbio rivolgendosi ad un Centro di vendita e assistenza.

### **IMPORTANT**

Les renseignements et indications contenus dans le présent livret étaient exacts et à jour au moment de l'impression. Dans un souci d'amélioration, nos matériels peuvent avoir bénéficié d'évolutions ou avoir été modifiés. Au cas où vous remarqueriez des différences, veuillez vous adresser à un Centre de vente et Service après-vente pour éliminer toute possibilité de doute.

### **WICHTIG**

Die in vorliegender Veröffentlichung enthaltenen Informationen und Daten waren zur Zeit des Drucklegung korrekt und auf dem neuesten Stand. Da wir unsere Produkte fortwährend verbessern, kann es aufgrund von Konstruktionsänderungen zu Änderungen der beschriebenen Verfahren kommen. Falls Abweichungen auftreten, wenden Sie sich bitte zur Vermeidung von Unklarheiten an ein Verkaufs-und Servicezentrum.

### **IMPORTANT**

Information and data contained in this publication are correct and up to date at the time of printing. The company does, however, continually try to improve the products and such improvements may give rise to structural changes requiring modifications in the above procedures. Should any differences be noted, please contact your nearest sales and assistance center for help in clearing up any possible doubts.

### **IMPORTANTE**

Las informaciones y los datos contenidos en esta publicación son exactos y actualizados hasta el momento de la impresión. Es nuestra norma tratar de mejorar el producto, consecuentemente algunas modificaciones constructivas pueden afectar los procedimientos descritos. Cuando se noten diferencias eliminar cualquier duda dirigiéndose a un Centro de Venta y Asistencia.

---